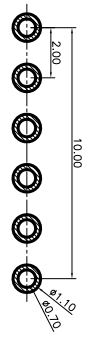
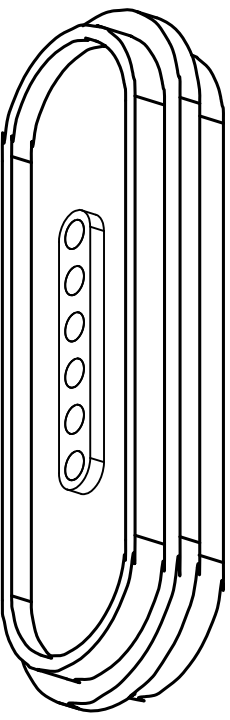
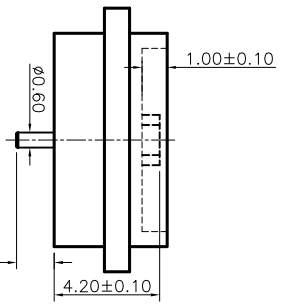
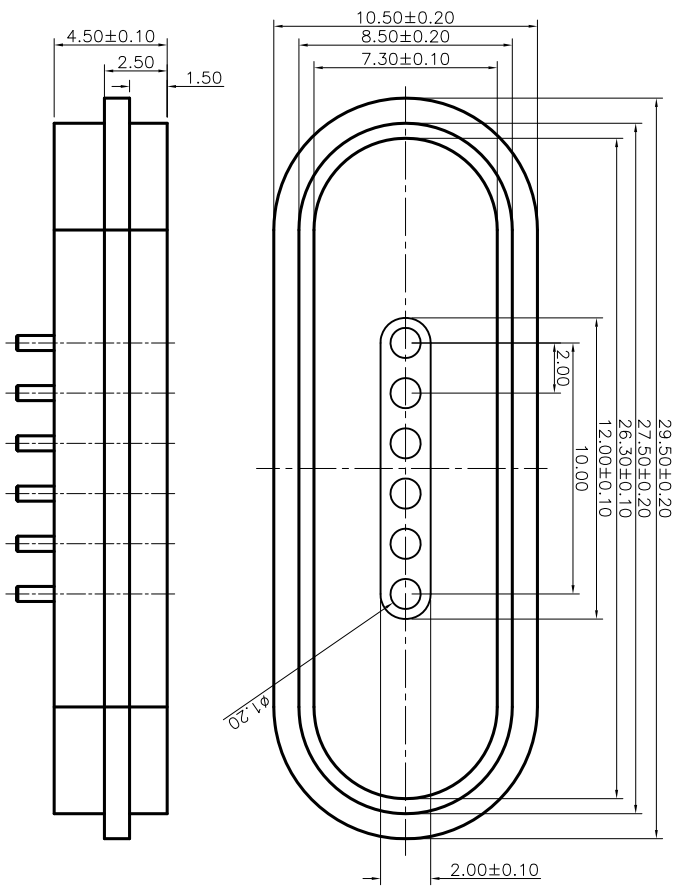


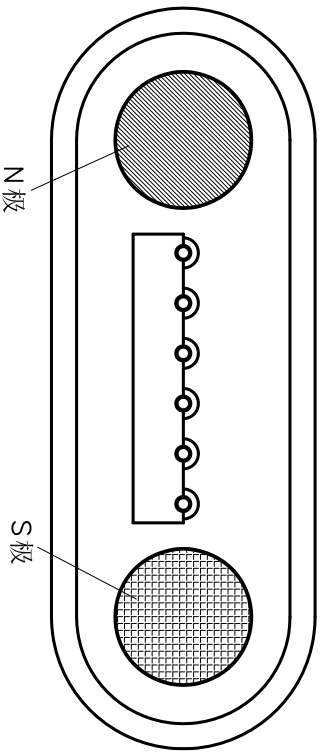
Please Approve this Drawing
Date
Signature

NO.	Part Name	Q'TY	Material	Plated surface
1	Pin	6	无磁铜	Au 5u" Min. OVER 50U~120" NI
2	Magnet	2	NdFeB	NI Plating
3	Housing	1	High temp.Plastic; UL94 V-0	Color Black
4				

- NOTES:
1. Electrical
 .Rated Current & Voltage : DC 12 V ; 3.0A Max.
 .Contact Resistance: 50 mohm maximum at Working Height(Quiescence)
 2. Environmental
 .Operating Temperature: -40C~+85C
 .Humidity Range: 10%RH~90%RH
 .Salt Spray: 48 Hours
 3. RoHS&HF compliant product.



Recommended pcb layout
Layout tolerance: ±0.05mm



VER.	DESCRIPTION	EON NO.	DATE

DRAWN	Lys	DATE	2022.07.22		东莞市樂瑞电子科技有限公司	
CHECKED		SCALE	10:1	VER.	B.0	
APPROVED		TITLE	Pin		Ang:	
PROJECT		DRAWING NO.	NF4888-06PB		Dim:	
SHEET	1 of 1 <th>UNIT</th> <th colspan="2">mm</th> <td>0 ±1°</td> <td>0 ±0.15</td>	UNIT	mm		0 ±1°	0 ±0.15
					.0 ±0.5°	.0 ±0.10
					.00 ±0.25°	.00 ±0.05