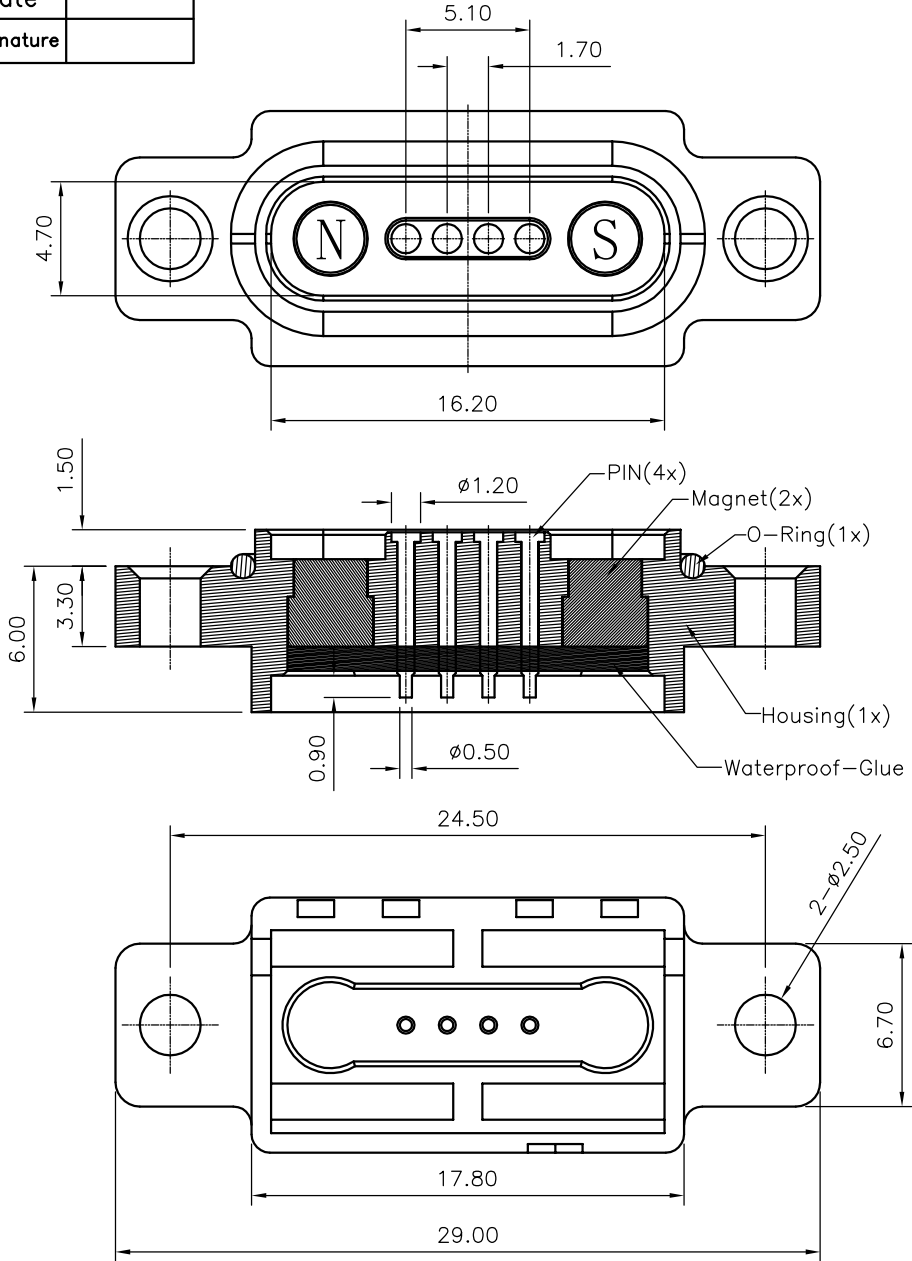


Please Approve this Drawing

Date

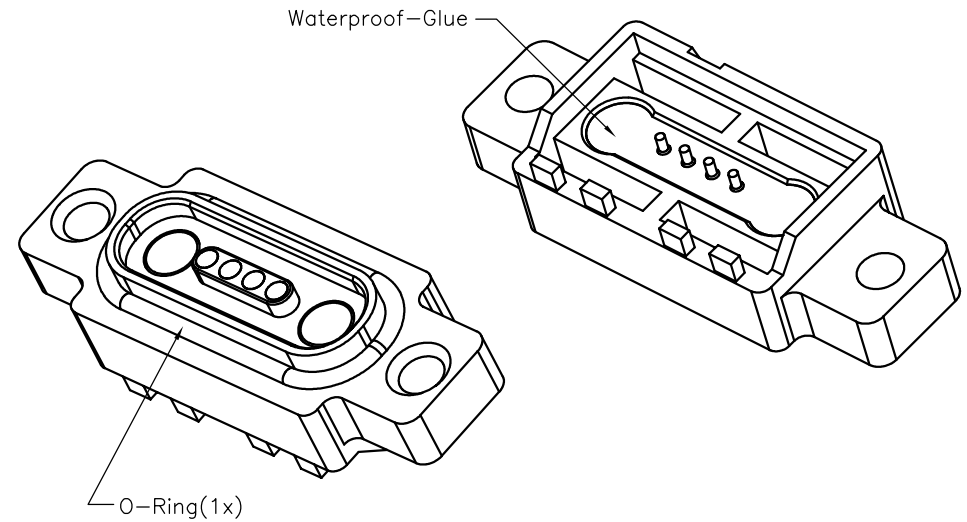
Signature



NO.	Part Name	Q'TY	Material	Plated surface
1	Pin	4	Phosphor	Au 15u" Min. Over 120~200u" Ni
2	Housing	1	PA9T	UL 94V-0, Black
3	Magnet	2	N52	80~200u" Ni
4	O-Ring	1		
5				

NOTES:

- Electrical
 - .Rated Current & Voltage : DC 12 V ; 1 A
 - .Contact Resistance: 30 mohm maximum at Working Height(Quiescence)
- Environmental
 - .Operating Temperature: -25°C~+85°C
 - .Humidity Range: 10%RH~90%RH
 - .Salt Spray: 48 Hours
- .RoHs&HF compliant product.



DRAWN	Devin	DATE	2022.08.19			Dongguan Promax Electronics Technology Co., Ltd	
CHECKED		SCALE	10:1	VER. A.0			
APPROVED		TITLE	Magnet connector.		Ang:	Dim:	
PROJECT		DRAWING NO.	NF5053-04PA		0 ±1°	0 ±0.15	
SHEET	1 of 1	UNIT	mm		.0 ±0.5°	.0 ±0.10	
					.00 ±0.25°	.00 ±0.07	

VER.	DESCRIPTION	ECN NO.	DATE