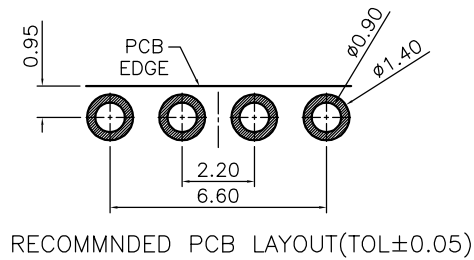
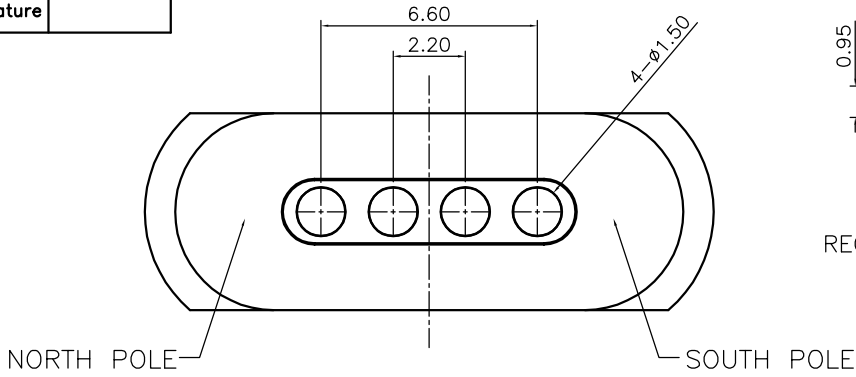


Please Approve this Drawing

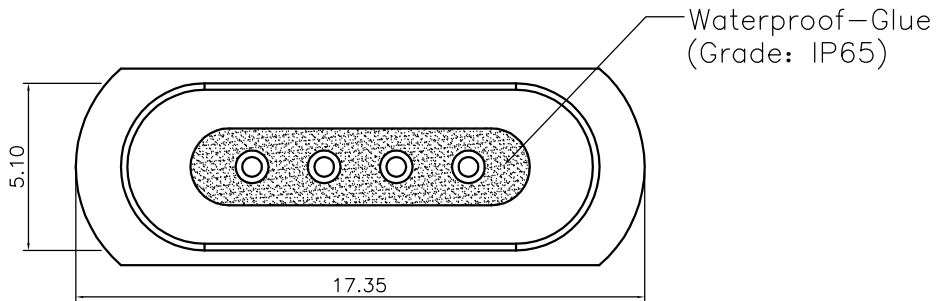
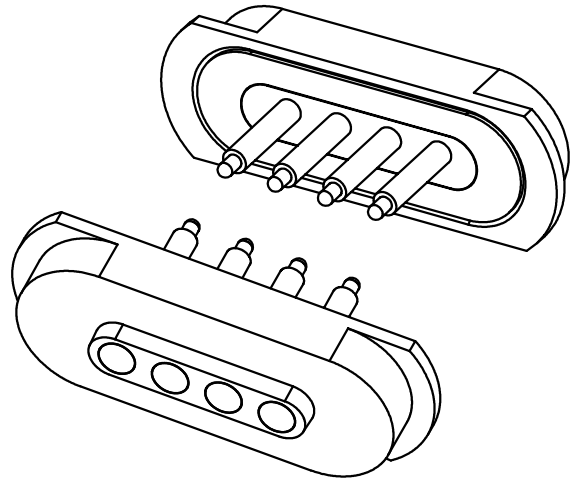
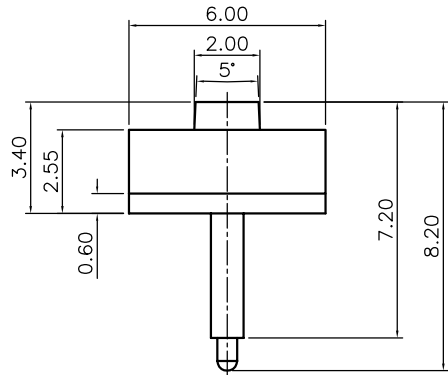
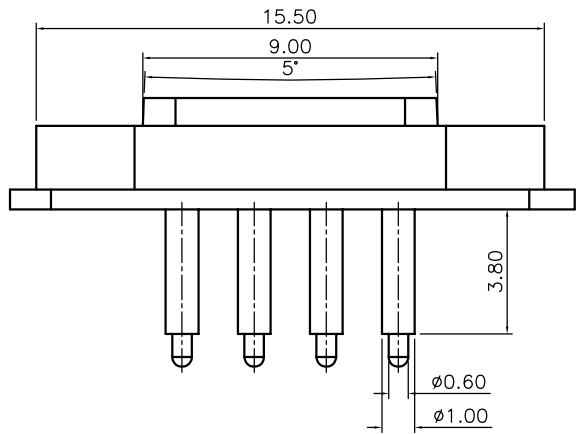
Date

Signature

NO.	Part Name	Q'TY	Material	Plated surface
1	PIN	4	HBI59	AU 5 U" MIN OVER 50~100 U" NI
2	Magnet	1	N52	80~180u" Ni
3	Housing	1	High Temperature Plastics	UL 94V-0, BLACK
4				



- NOTES:
- Electrical
 - .Rated Current & Voltage : DC 12V ; 2.0A
 - .Contact Resistance: 50 mohm maximum at Working Height(Quiescence)
 - Environmental
 - .Operating Temperature: -25°C~+85°C
 - .Humidity Range: 10%RH~90%RH
 - .Salt Spray: 48 Hours
 - .RoHs&HF compliant product.



DRAWN	Devin	DATE	2022.09.28				Dongguan Promax Electronics Technology Co., Ltd	
CHECKED		SCALE	10:1	VER.	A.0			
APPROVED		TITLE	Magnet connector.			Ang:	Dim:	
PROJECT		DRAWING NO.	NF5056-04PA			0 ±1°	0 ±0.20	
SHEET	1 of 1	UNIT	mm			.0 ±0.5°	.0 ±0.15	
					.00 ±0.25°	.00 ±0.10		

VER.	DESCRIPTION	ECN NO.	DATE