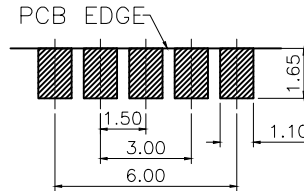
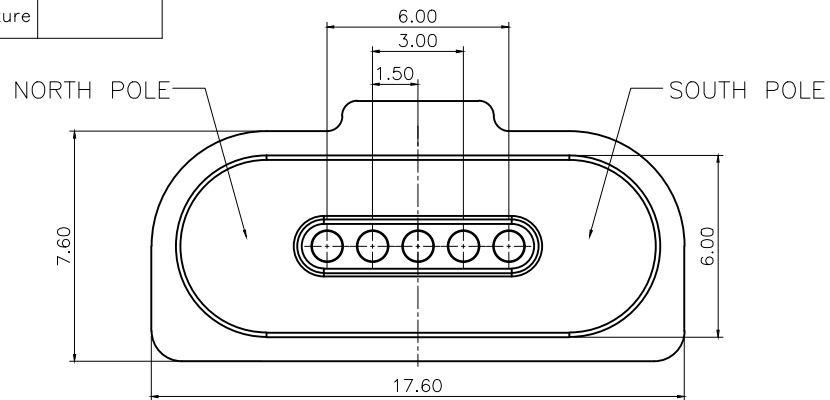


Please Approve this Drawing

Date

Signature

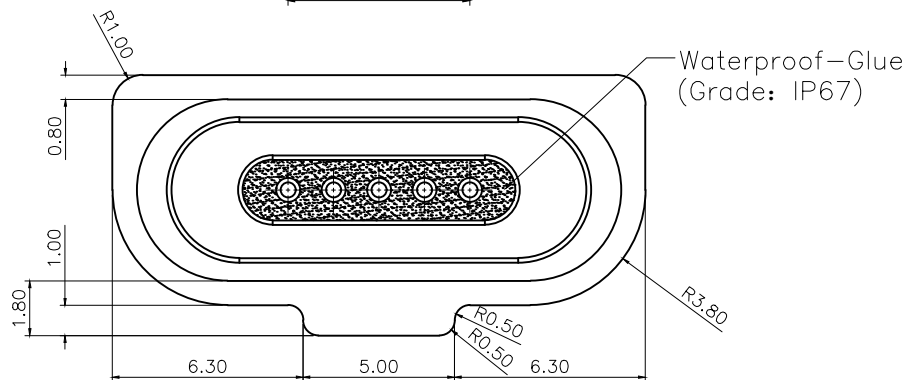
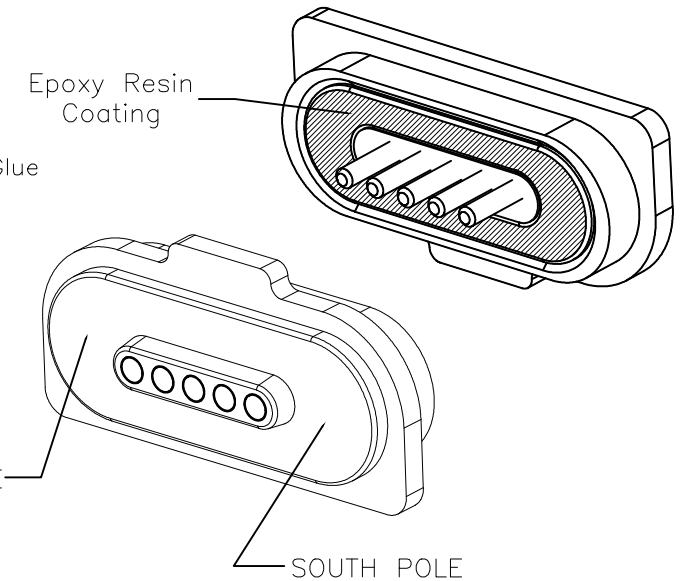
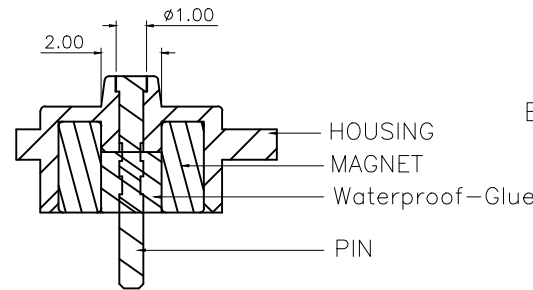
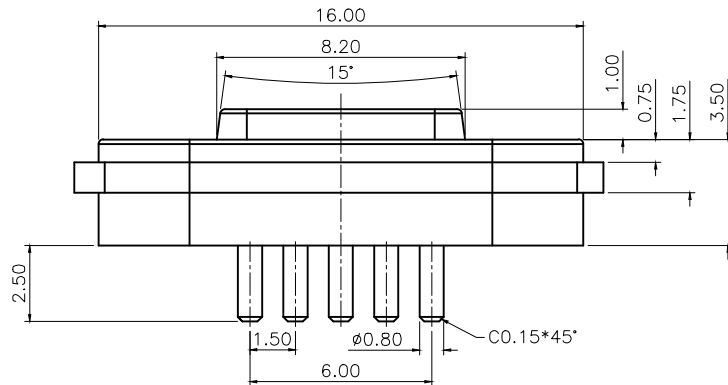
NO.	Part Name	Q'TY	Material	Plated surface
1	PIN	5	HBi59	AU 5 U" MIN OVER 50~100 U" NI
2	Magnet	1	N52	Epoxy Resin Coating
3	Housing	1	High Temperature Plastics	UL 94V-0, BLACK
4				


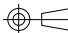


RECOMMENDED PCB LAYOUT
(TOL ±0.05)

NOTES:

- Electrical
 - .Rated Current & Voltage : DC 12V ; 2.0A
 - .Contact Resistance: 50 mohm maximum at Working Height(Quiescence)
- Environmental
 - .Operating Temperature: -25°C~+85°C
 - .Humidity Range: 10%RH~90%RH
 - .Salt Spray: 48 Hours
- .RoHs&HF compliant product.



DRAWN	ZYH	DATE	2023.03.22			 Dongguan Promax Electronics Technology Co., Ltd
CHECKED		SCALE	10:1	VER.	D.0	
APPROVED		TITLE	Magnet connector.			Ang:
PROJECT		DRAWING NO.	NF5132-05PD			0 ±1°
SHEET	1 of 1	UNIT	mm			.0 ±0.5°
						Dim: 0 ±0.20
						.0 ±0.15
						.00 ±0.10

VER.	DESCRIPTION	ECN NO.	DATE