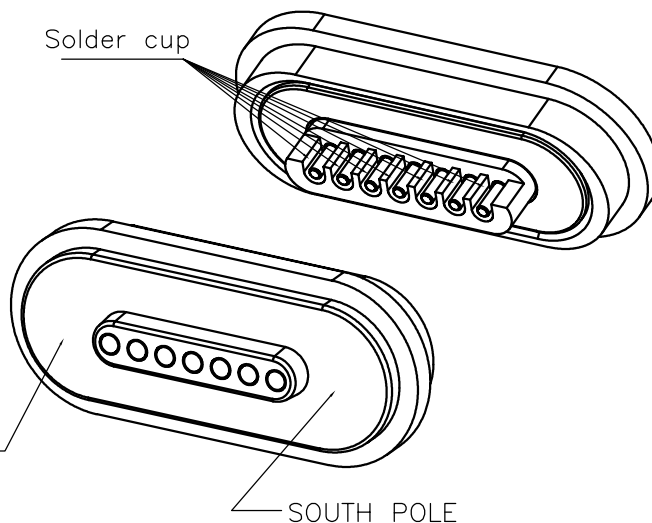
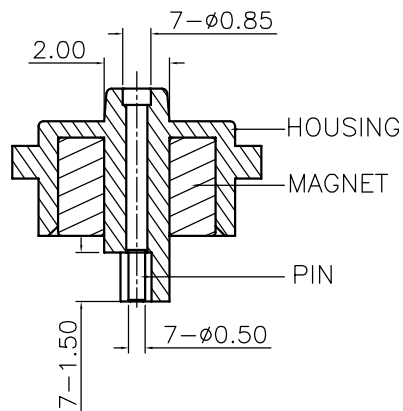
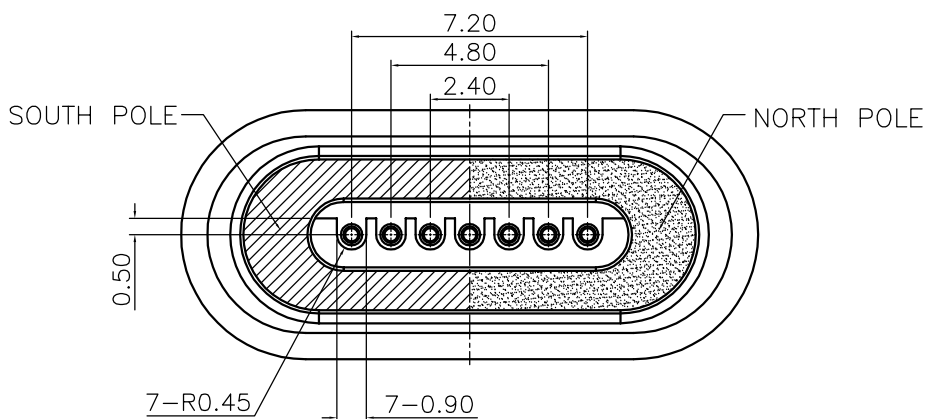
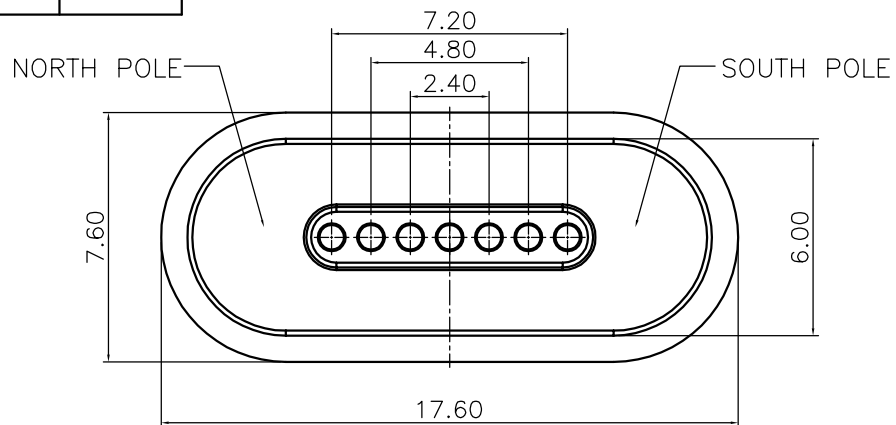


Please Approve this Drawing

Date

Signature



NO.	Part Name	Q'TY	Material	Plated surface
1	PIN	5	HBI59	AU 5 U" MIN OVER 50~100 U" NI
2	Magnet	1	N52	80~180u" Ni
3	Housing	1	High Temperature Plastics	UL 94V-0, BLACK
4				

NOTES:

- Electrical
 - .Rated Current & Voltage : DC 12V ; 2.0A
 - .Contact Resistance: 50 mohm maximum at Working Height(Quiescence)
- Environmental
 - .Operating Temperature: -25°C~+85°C
 - .Humidity Range: 10%RH~90%RH
 - .Salt Spray: 48 Hours
- .RoHs&HF compliant product.

DRAWN	Devin	DATE	2022.10.12		
CHECKED		SCALE	10:1	VER.	A.0
APPROVED		TITLE	Magnet connector.		
PROJECT		DRAWING NO.	NF5265-07PA		
SHEET	1 of 1	UNIT	mm		
			Ang:		Dim:
			0	±1°	0 ±0.20
			.0	±0.5°	.0 ±0.15
			.00	±0.25°	.00 ±0.10

Proma Dongguan Promax Electronics Technology Co., Ltd

VER.	DESCRIPTION	ECN NO.	DATE