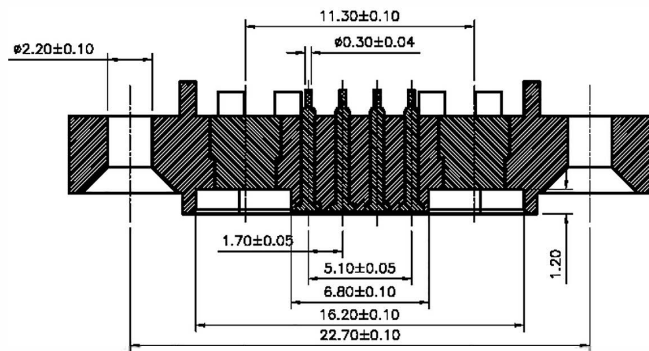
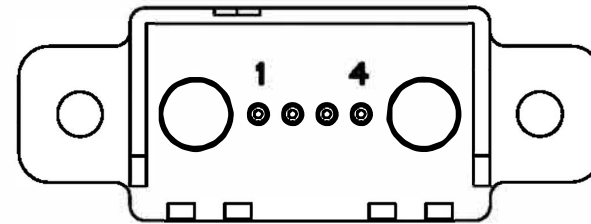
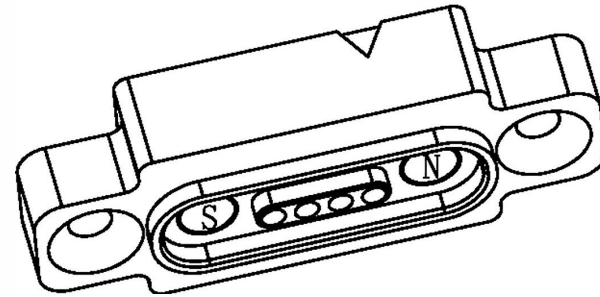
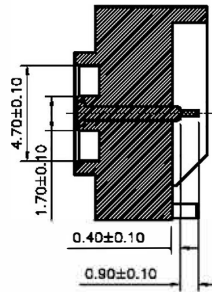
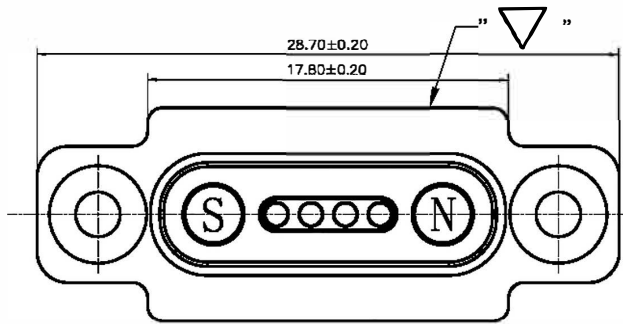
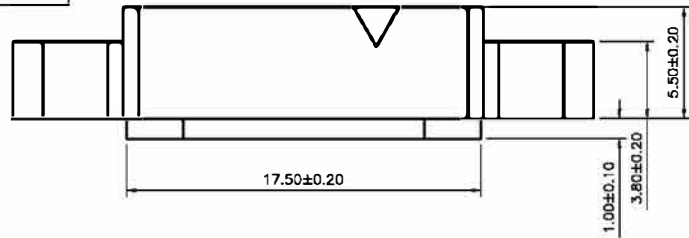


Please Approve this Drawing

Date

Signature

NO.	Part Name	Q'TY	Material	Plated surface
1	Pin	4	HBI59	AU 15 U" MIN OVER 50~120 U" NI
2	Housing	1	PA9T	UL 94V-0, Black
3	Magnet	2	NdFeB N52	80~180u" Ni



NOTES:

- Electrical  
 .Rated Current & Voltage : DC 12 V ; 3 A  
 .Contact Resistance: 30 mohm maximum  
 at Working Height(Quiescence)
- Environmental  
 .Operating Temperature: -25°C~+85°C  
 .Humidity Range: 10%RH~90%RH  
 .Salt Spray: 48 Hours
- .RoHs&HF compliant product.

DRAWN	lys	DATE	2022.06.29			Dongguan Promax Electronics Technology Co., Ltd
CHECKED		SCALE	10:1	VER.	D.O	
APPROVED		TITLE	pogo pin connector.			Ang:
PROJECT		DRAWING NO.	NF708-04PD			0 ±1°
SHEET	1 of 1	UNIT	mm			.0 ±0.5°
						.00 ±0.25°
						0 ±0.15
						.0 ±0.10
						.00 ±0.05

VER.	DESCRIPTION	ECN NO.	DATE