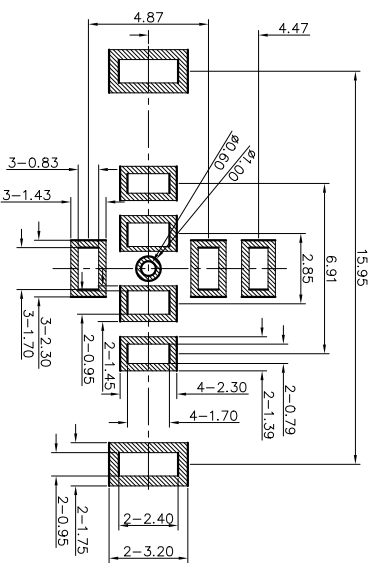
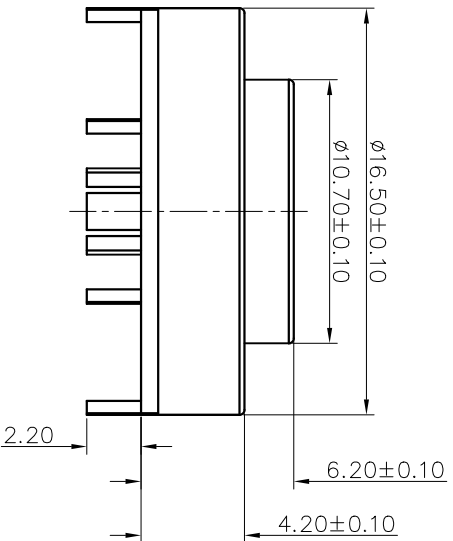
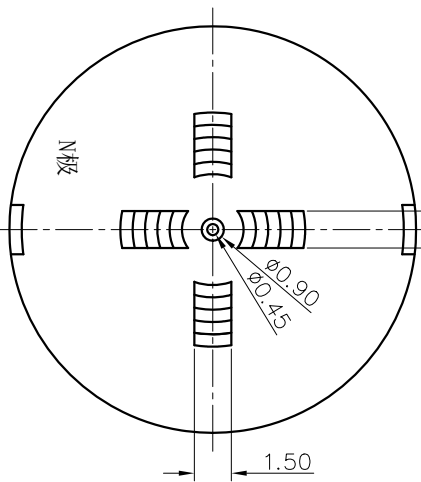
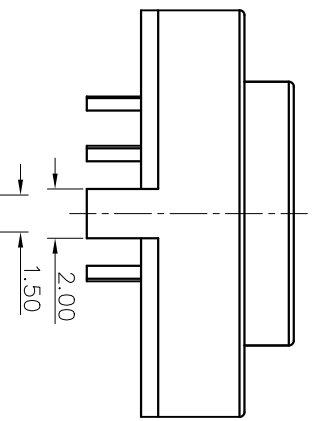
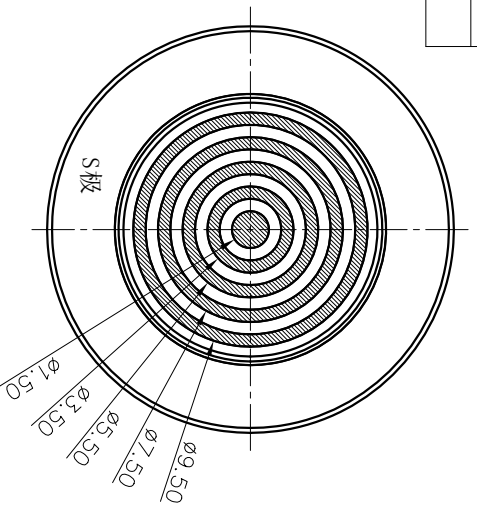


Please Approve this Drawing	
Date	
Signature	



Recommended pcb layout
Layout tolerance: $\pm 0.05\text{mm}$

NO.	Part Name	Q'TY	Material	Plated surface
1	Pin	5	无铅铜	Au 3u" Min. Over 50u" Min. Ni
2	Shell	1	无铅铜	Plating Ni
3	Magnet	1	无铅铜	Plating Ni
3	Housing	1	High temp:Plastic: UL94 V-0 Color Black	
4				
5				

- NOTES:
1. Electrical
 .Rated Current & Voltage : DC 12 V ; 1.0A Max.
 .Contact Resistance: 50 mohm maximum
 at Working Height(Quiescence)
 2. Environmental
 . Operating Temperature: $-25^{\circ}\text{C} \sim +85^{\circ}\text{C}$
 .Humidity Range: 10%RH~90%RH
 .Salt Spry: 48 Hours
 3. RoHS&HF compliant product.

VER.	DESCRIPTION	ECN NO.	DATE
------	-------------	---------	------

DRAWN	Iys	DATE	2023.07.31
CHECKED		SCALE	10:1 VER. B:0
APPROVED		TITLE	pin connector.
PROJECT		DRAWING NO.	NF5889-09PB
SHEET	1 of 1	UNIT	mm
		Ang:	0 $\pm 1^{\circ}$.0 $\pm 0.5^{\circ}$.00 $\pm 0.25^{\circ}$
		Dim:	0 ± 0.20 .0 ± 0.15 .00 ± 0.10
Dongguan Promax Electronics Technology Co., Ltd.			