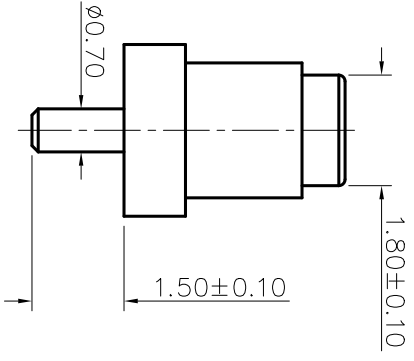
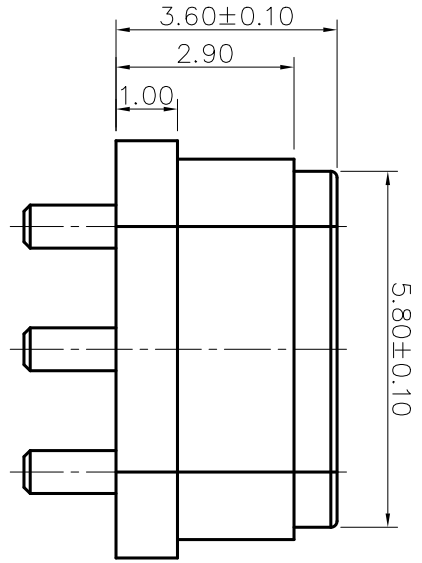
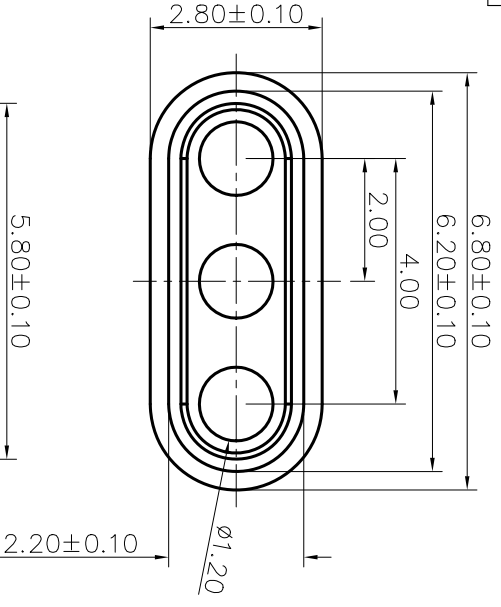
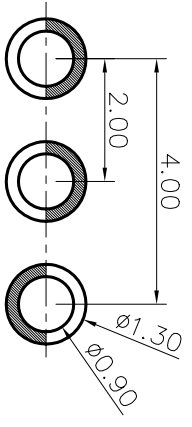
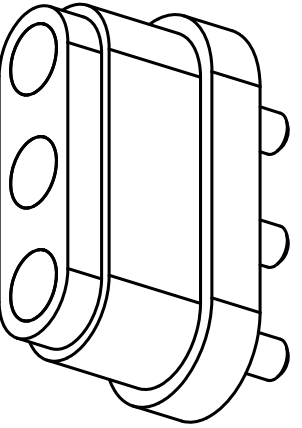


Please Approve this Drawing	
Date	
Signature	





NO.	Part Name	Q'TY	Material	Plated surface
1	Pin	3	无铅铜	Au 5u" Min. OVER 50U~120" Ni
2	Housing	1	High temp.Plastic: UL94 V-0	Color Black
3				
4				

- NOTES:
1. Electrical
 .Rated Current & Voltage : DC 12 V ; 3.0A Max.
 .Contact Resistance: 50 mohm maximum
 .at Working Height(Quiescence)
 2. Environmental
 .Operating Temperature: -40°C~+85°C
 .Humidity Range: 10%RH~90%RH
 .Salt Spray: 48 Hours
 3. RoHS&HF compliant product.



Recommended pcb layout
 Layout tolerance: ±0.05mm

VER.	DESCRIPTION	ECN NO.	DATE

DRAWN	Lys	DATE	2023.05.18		 Dongguan Promax Electronics Technology Co., Ltd.
CHECKED		SCALE	10:1	VER. A.0	
APPROVED		TITLE	Pin		
PROJECT		DRAWING NO.	NF6012-03PA		
SHEET	1 of 1	UNIT	mm	Ang:	Dim:
				0 ±1°	0 ±0.15
				.0 ±0.5°	.0 ±0.10
				.00 ±0.25°	.00 ±0.05