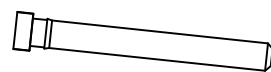
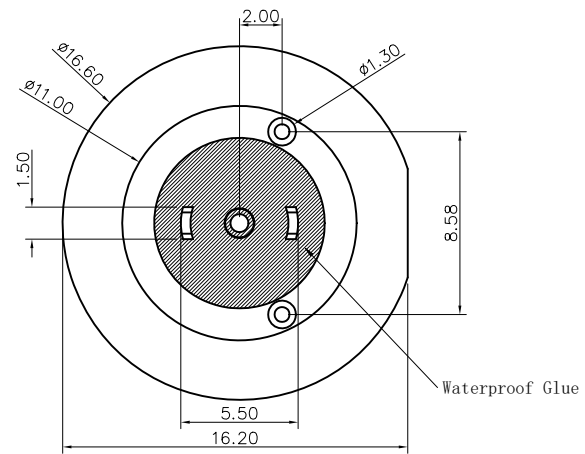
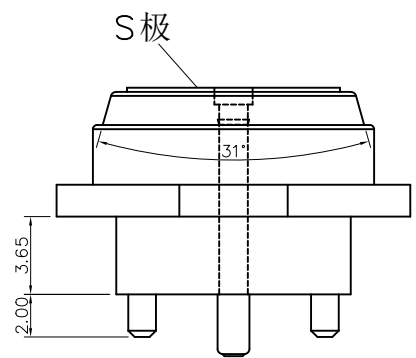
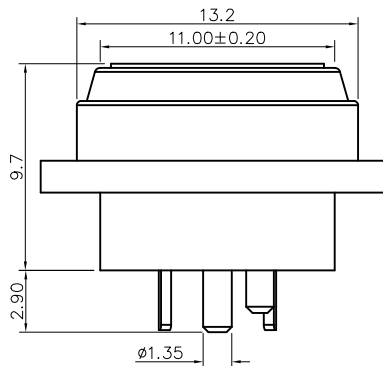
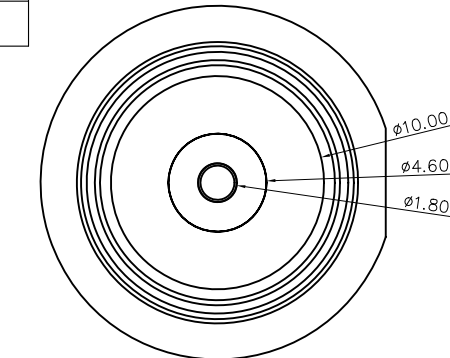
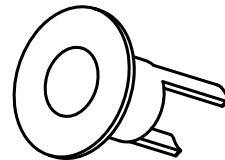


Please Approve this Drawing

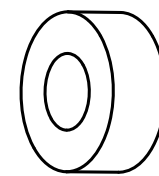
Date	
Signature	



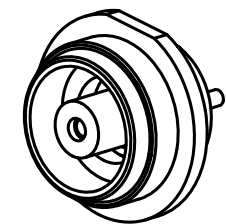
Pin
.Salt Spray: 72 Hours



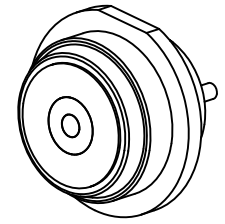
Shell
.Salt Spray: 72 Hours



Magnet
.Salt Spray: 48 Hours


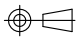


Housing



NO.	Part Name	Q'TY	Material	Plated surface
1	Pin	1	Brass	Au 20u" Min. OVER 50u" Min. Ni
2	Magnet	1	N52	200~400 U" NI
3	Shell	1	Brass	200~400 U" NI
4	Housing	1	HTN ; UL94 V-0 Color Black	

- NOTES:
- Electrical
 - .Rated Current & Voltage : DC 60 V ; 3.0A Max.
 - .Contact Resistance: 20 mohm maximum at Working Height(Quiescence)
 - Environmental
 - .Operating Temperature: -40°C~+85°C
 - .Humidity Range: 10%RH~90%RH
 - .Salt Spray: 48 Hours
 - .Dustproof and waterproof: IP54
 - .RoHS&HF compliant product.

DRAWN	Lys	DATE	2023.07.19			 Dongguan Promax Electronics Technology Co., Ltd.
CHECKED		SCALE	10:1	VER.	A.0	
APPROVED		TITLE	Pin Connector			Ang:
PROJECT		DRAWING NO.	NF6230-01PA			0 ±1°
SHEET	1 of 1	UNIT	mm			.0 ±0.5°
						.00 ±0.25°
						0 ±0.20
						.0 ±0.15
						.00 ±0.10

VER.	DESCRIPTION	ECN NO.	DATE